



# Model FT15 Non-Metallic

## AIR OPERATED DOUBLE DIAPHRAGM PUMPS

### Specifications

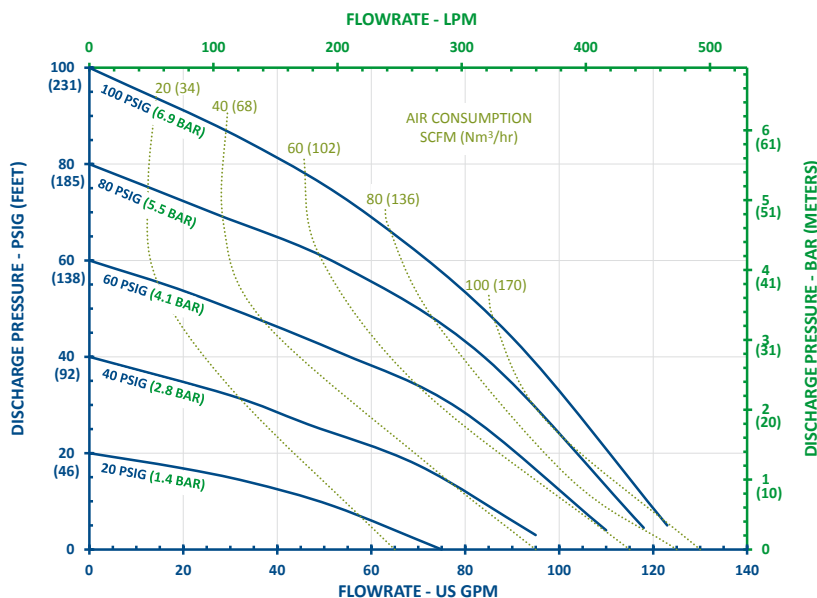
Suction & Discharge Size:	1.5" x 1.5"
Porting Location:	End
Connection Types:	ANSI/DIN/ISO flange
Air Inlet & Air Exhaust Size:	3/4" FNPT x 3/4" FNPT

### Capabilities

Maximum Flow Rate:	125 gpm (473 lpm)
Maximum Air Supply Pressure:	100 psig (6.9 bar)
Displacement Per Stroke:	0.31 gal (1.2 lit)
Minimum Air Inlet Pressure:	10 psig (0.7 bar)
Maximum Particle Size :	0.35 in (8.9 mm)
Sound Pressure:	77 dB(A)
Operating temperature:	Determined by elastomers



### FT15 Performance



Note: Full stroke diaphragm allows performance to be equal for all elastomers.

### Typical Applications

- Acids & Bases
- Plating Solutions
- Wastewater
- Paints, Inks, Solvents
- Ceramic Slip and Glaze
- Lubricants and Oils

### Typical Industries

- Mining
- Paints and Coatings
- Ceramics
- Pulp and Paper
- Electroplating & Anodizing
- Wastewater
- Marine
- Chemical Manufacturing & Distribution
- OEM's

# CHANGE IS IN THE AIR

## Construction

Wetted Materials:	Polypropylene, PVDF
Diaphragm Materials:	Neoprene, Santoprene™, FKM, EPDM, PTFE, Buna, Hytrel®, Polyurethane
Air Valve:	GFRPP, Aluminum
Ball Materials:	Neoprene, Buna, EPDM, FKM, Santoprene™, PTFE
Seat Materials:	Polypropylene, PVDF
O-ring Materials:	Buna, FKM, Santoprene™, Polyurethane, FEP/FKM

Santoprene™ is a registered trademark of Exxon Mobil Corp.  
Hytrel® is a registered trademark of Dupont™

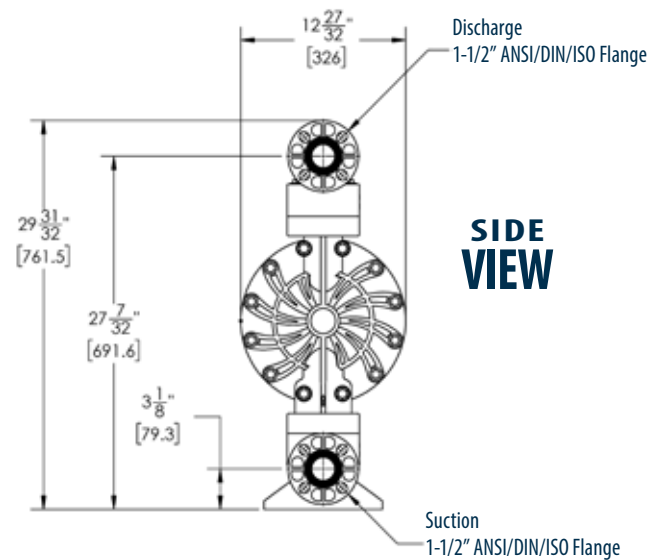
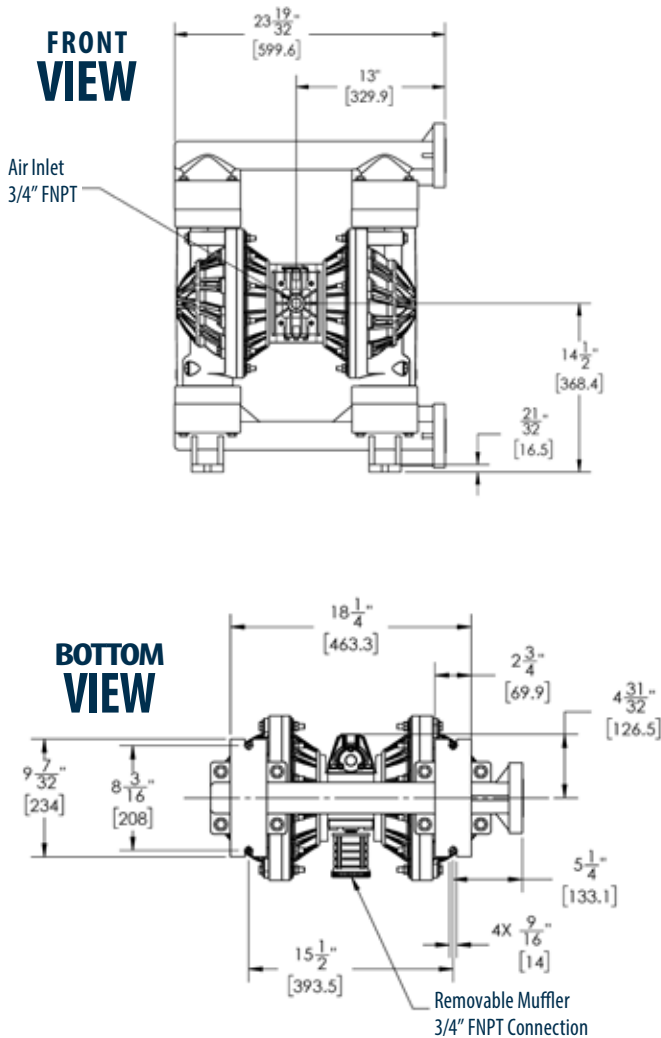
Pat. <http://ftiair.com/resources/ip/>

## Dimensions

Maximum Height:	29-31/32 in (762 mm)
Maximum Width:	23-19/32 in (600 mm)
Maximum Depth:	12-27/32 in (326 mm)

## Weight

Polypropylene:	66.0 lb (29.9 kg)
PVDF:	95.0 lb (43.1 kg)



**FTI AIR**

921 GREENGARDEN ROAD ERIE, PA 16501  
Tel: (800) 934-9384 • Fax: (814) 459-3460  
[www.FTIAIR.com](http://www.FTIAIR.com)

