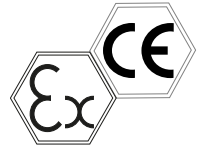




# Model FT10A Metallic

AIR OPERATED DOUBLE DIAPHRAGM PUMPS



## Specifications

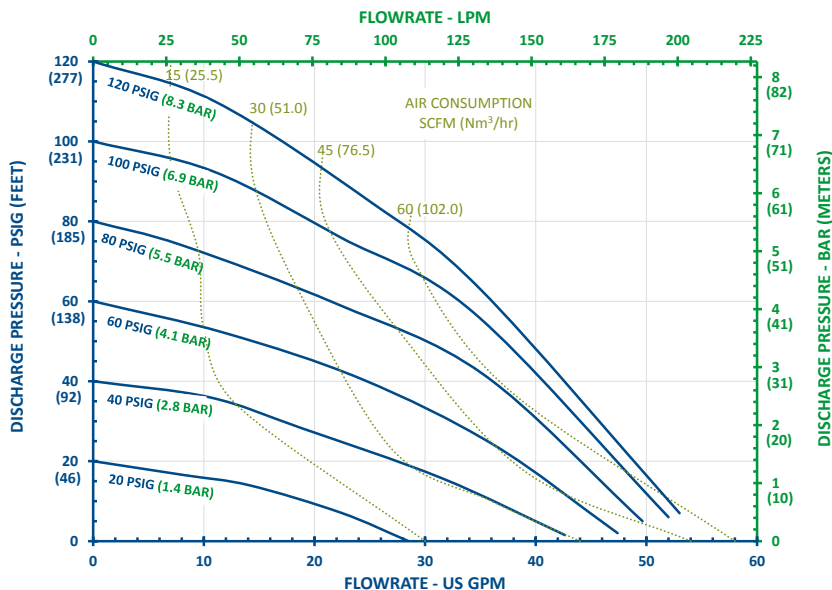
Suction & Discharge Size:	1" x 1"
Standard Porting Location*:	End
Connection Types:	FNPT, FBSPT
Air Inlet & Air Exhaust Size:	1/2" FNPT x 1/2" FNPT

\*Optional NPT or BSP threaded center port location in either horizontal or vertical position

## Capabilities

Maximum Flow Rate:	56 gpm (212 lpm)
Maximum Air Supply Pressure:	120 psi (8.3 bar)
Displacement Per Stroke:	0.05 gal (0.19 lit)
Minimum Air Inlet Pressure:	10 psig (0.7 bar)
Maximum Particle Size:	0.25 in (6.4 mm)
Sound Pressure:	73.6 dB(A)
Operating temperature:	Determined by elastomers

## FT10 Performance



Note: Full stroke diaphragm allows performance to be equal for all elastomers.

## Typical Applications

- Acids & Bases
- Plating Solutions
- Wastewater
- Paints, Inks, Solvents
- Ceramic Slip and Glaze
- Lubricants and Oils

## Typical Industries

- Mining
- Paints and Coatings
- Ceramics
- Pulp and Paper
- Electroplating & Anodizing
- Wastewater
- Marine
- Chemical Manufacturing & Distribution
- OEM's

# CHANGE IS IN THE AIR

## Construction

Wetted Materials:	Aluminum
Diaphragm Materials:	Neoprene, Santoprene™, FKM, EPDM, PTFE, Buna, Hytrel®, Polyurethane
Air Valve:	GFRPP, Aluminum
Ball Materials:	Neoprene, Buna, EPDM, FKM, Santoprene™, PTFE
Seat Materials:	Aluminum, 316SS, PTFE
O-ring Materials:	Neoprene, Buna, EPDM, FKM, PTFE, FEP/FKM

Santoprene™ is a registered tradename of Exxon Mobil Corp.  
Hytrel® is a registered tradename of Dupont™

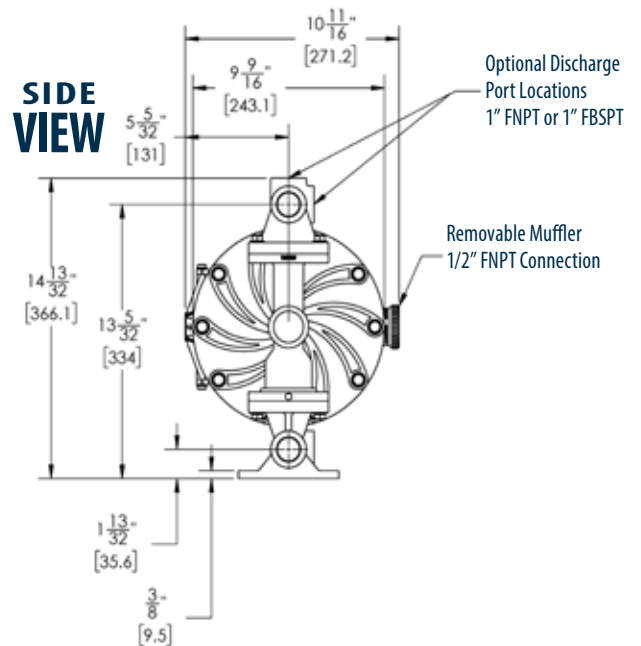
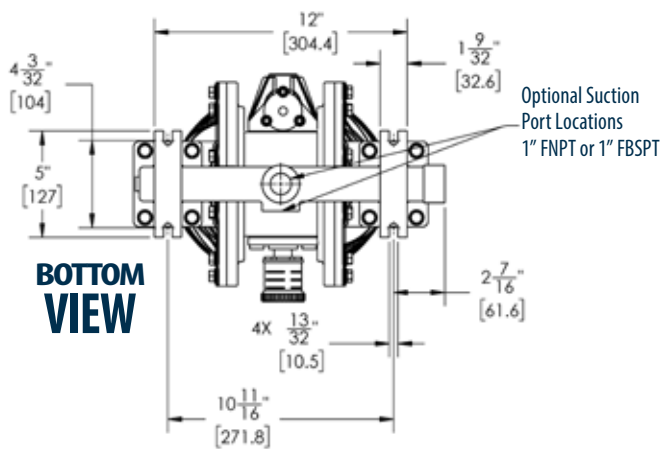
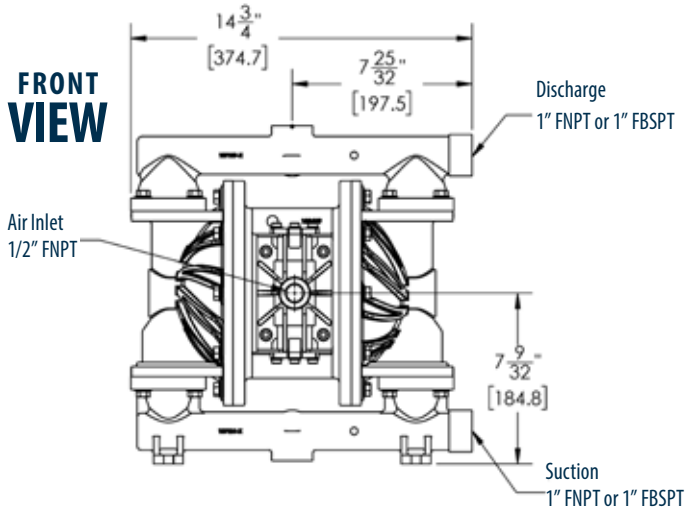
Pat. <http://ftiair.com/resources/ip/>

## Dimensions

Maximum Height:	14-13/32 in (366 mm)
Maximum Width:	14-3/4 in (375 mm)
Maximum Depth:	10-11/16 in (271 mm)

## Weight

Aluminum:	34.2lb (15.5 kg)
-----------	------------------



**FTI AIR**

921 GREENGARDEN ROAD ERIE, PA 16501  
 Tel: (800) 934-9384 • Fax: (814) 459-3460  
[www.FTIAIR.com](http://www.FTIAIR.com)

